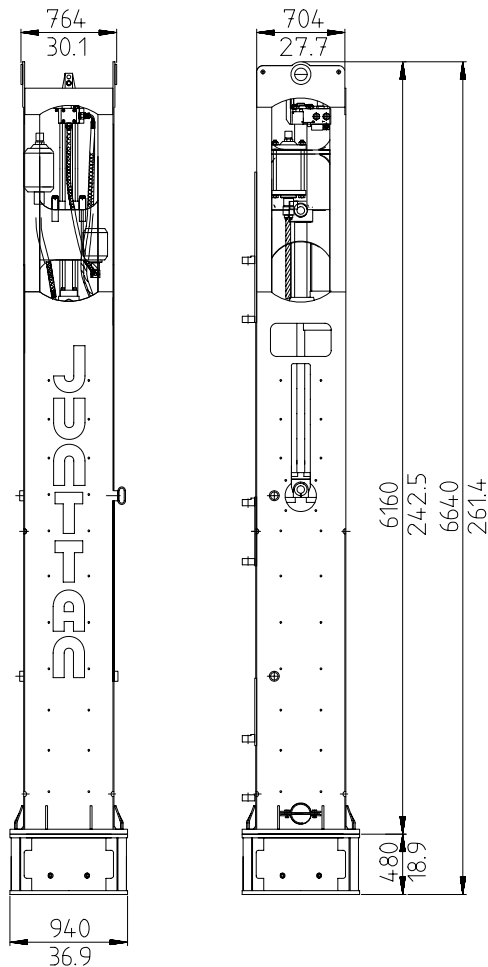


HHK 7A Hydraulic Impact Hammer



JUNTTAN HHK 7A		
Max. energy	kNm (ft-lbs)	82 (60 600)
Drop height	mm (inch)	50 - 1200 (2 - 47.2)
Blows per minute		40 - 100
Ram weight	kg (lb)	7 000 (15 430)
Total weight including A-type drive cap	kg (lb)	11 200 (24 690)
Oil flow	l/min (gpm)	450 (118.9)
Operating pressure	bar (PSI)	185 (2 683)
Hoses - pressure line	mm (inch)	38 (1 ½)
- return line		38 (1 ½)
Drive cap types		A for metal tubes B for concrete piles
Drive cap max. inner diameter	mm (inch)	A: Ø 830 (32.7) B: □ 520x520 (20.5x20.5)
Larger drive cap diameters available on special request		
Suitable power packs		5 CCU - 30 CCU
Optional equipment		
<ul style="list-style-type: none"> • guide claws • energy measurement device 	<ul style="list-style-type: none"> • additional drive caps • pile sleeves • lifting cat 	<ul style="list-style-type: none"> • power packs • additional noise insulation package

Junttan Oy reserves the right to amend the specification without prior notice. Error and misprints reserved. 3 March 2005 - version M1HHK7A001.