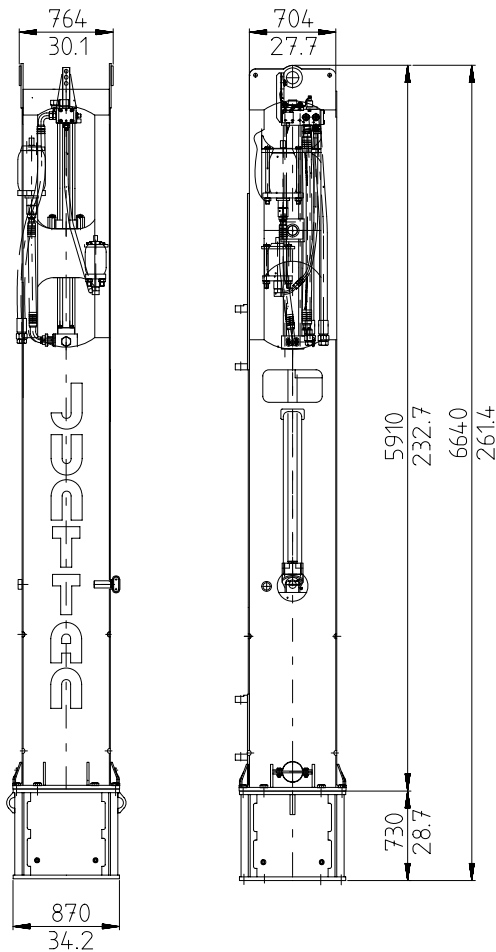


HHK 5S Hydraulic Impact Hammer



JUNTTAN HHK 5S		
Max. energy	kNm (ft-lbs)	74 (54 600)
Drop height	mm (inch)	50 - 1500 (2 - 59.1)
Blows per minute		30 - 100
Ram weight	kg (lb)	5 000 (11 020)
Total weight including A-type drive cap	kg (lb)	9 000 (19 840)
Oil flow	l/min (gpm)	302 (80)
Operating pressure	bar (PSI)	145 (2 103)
Hoses - pressure line	mm (inch)	38 (1 ½)
- return line		38 (1 ½)
Drive cap types		A for metal tubes B for concrete piles
Drive cap max. inner diameter	mm (inch)	A: Ø 750 (29.5) B: □ 450x450 (21.6x21.6)
Larger drive cap diameters available on special request		
Suitable power packs		5 CCU - 30 CCU
Optional equipment		
<ul style="list-style-type: none"> guide claws energy measurement device 	<ul style="list-style-type: none"> additional drive caps pile sleeves lifting cat 	<ul style="list-style-type: none"> power packs additional noise insulation package

Junttan Oy reserves the right to amend the specification without prior notice. Error and misprints reserved. 3 March 2005 - version M1HHK5S001.