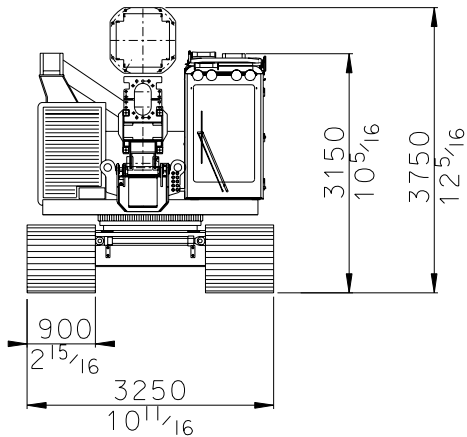
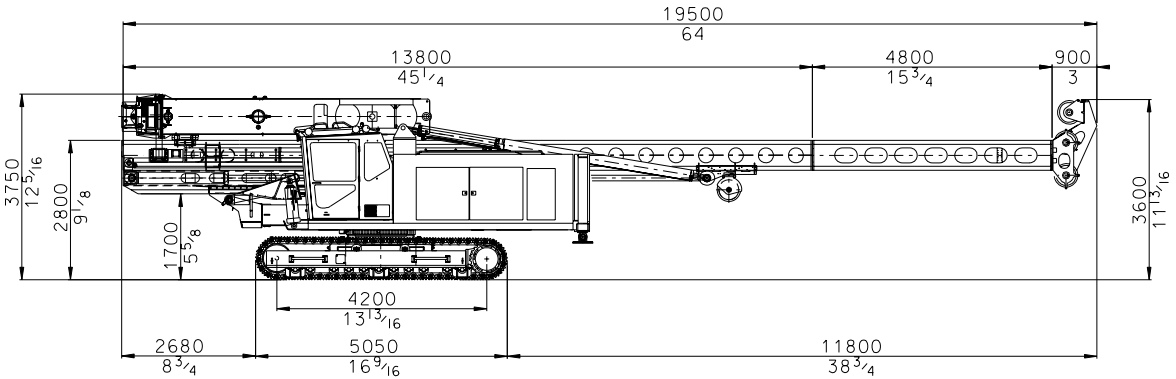


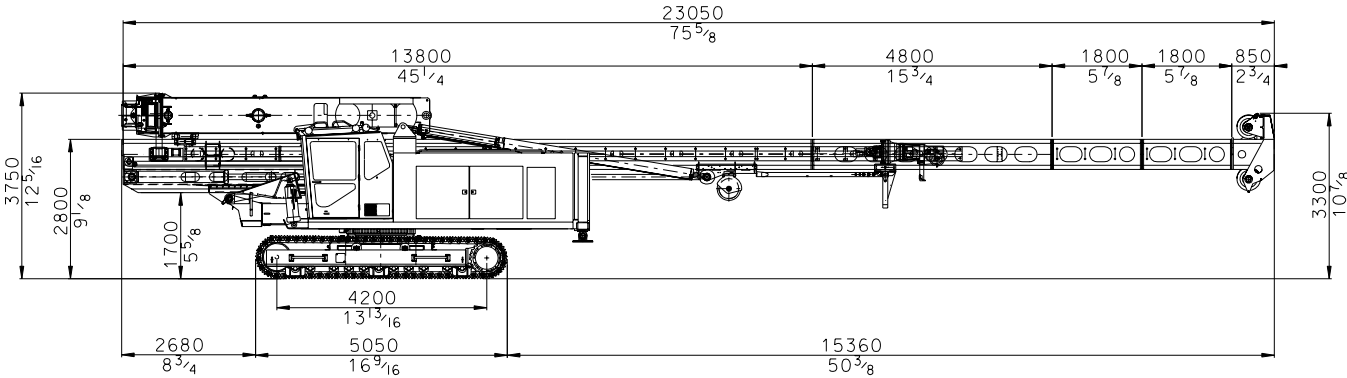
**PM 22**  
Pile Driving Rig  
Preliminary data sheet



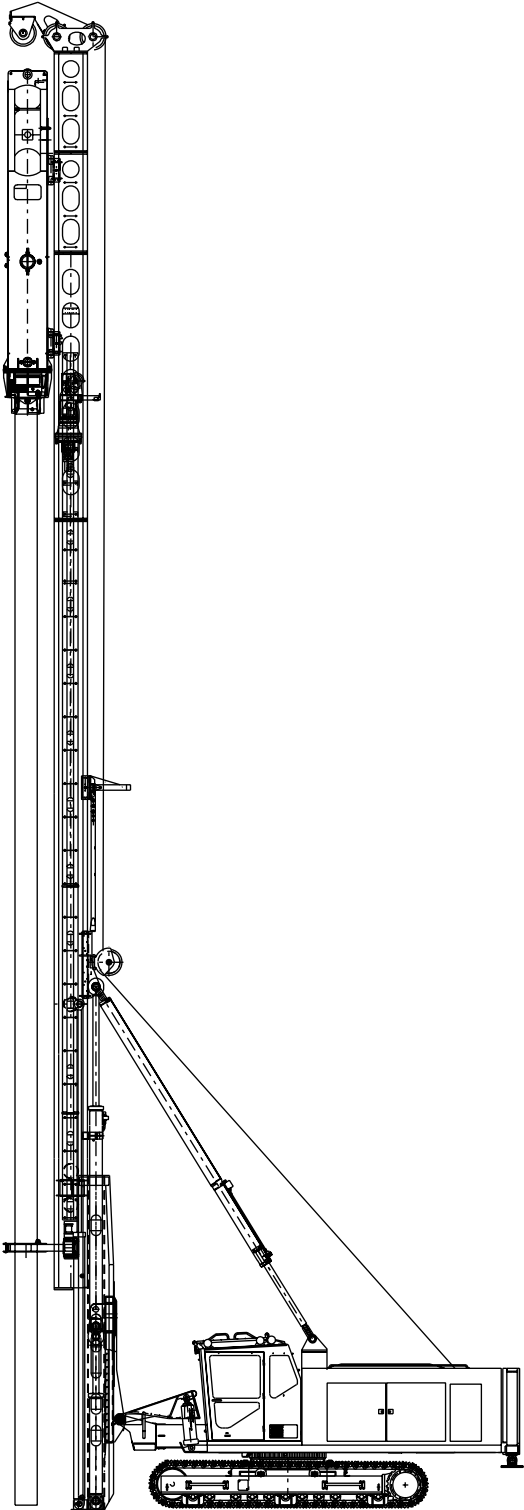
Minimum track width.



Standard PM 22 transport dimensions with HHK 5A hammer.



PM 22 transport dimensions with leader extension and HHK 5A hammer.

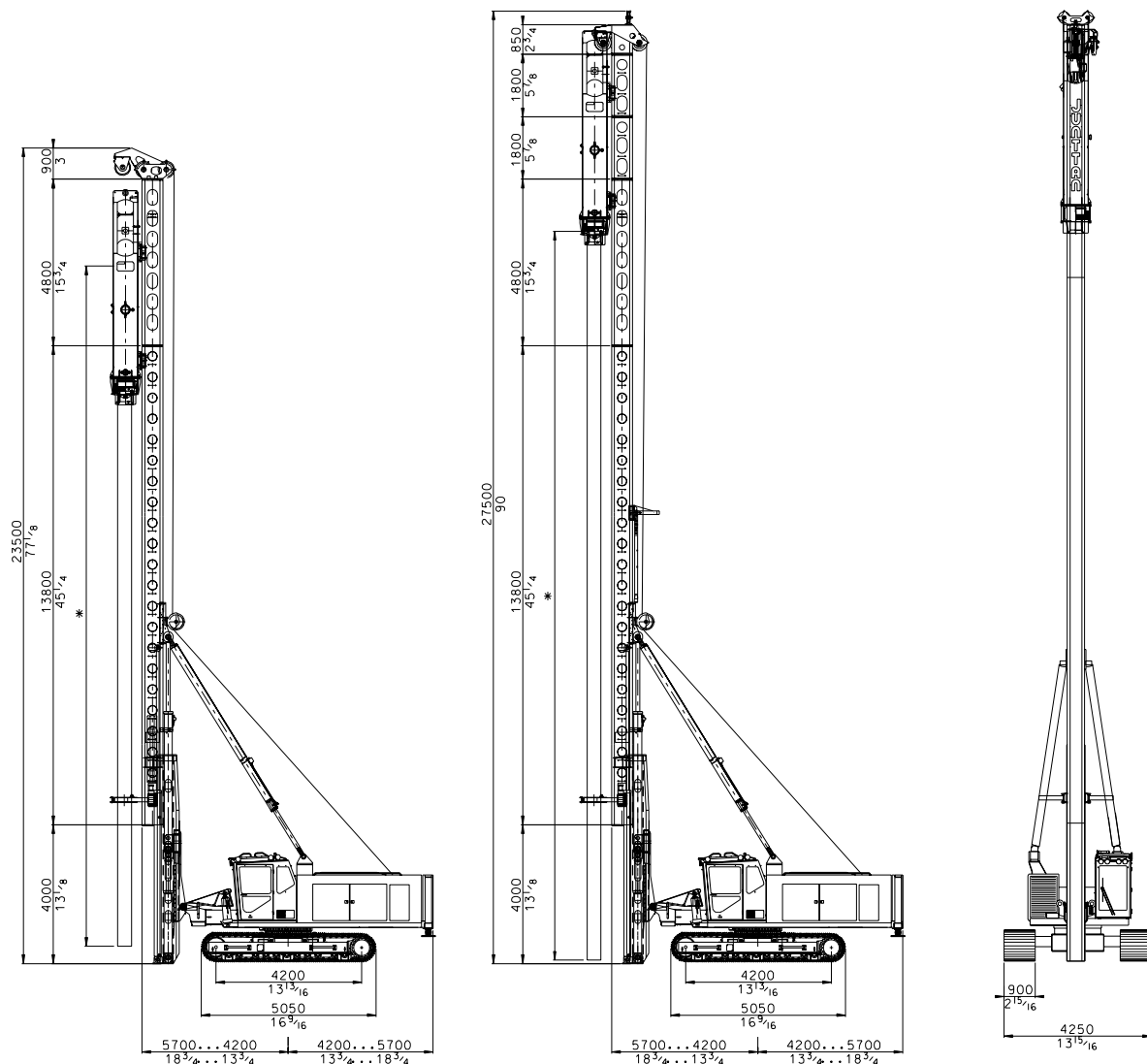


Junttan Oy reserves the right to amend the specification without prior notice. Error and misprints reserved. 14 March 2007 - version M122001.

## General Information

**Junttan PM 22** is a compact piling rig for pile driving timber, steel and concrete piles. It has a bigger maximum capacity for pile and hammer load and a wider leader reach than its smaller brother PM 20. The recommended hammer weight is from 3 000 to 6 000 kg and the maximum pile length is 20 meters (66 ft). The rig has proven productivity due to excellent mobility. The telescopic leader ensures easy and fast handling of piles. Top pile driving performance is guaranteed with Junttan hydraulic hammers. An optional side drill or vibrator hammer makes pile driving even more efficient in some soil conditions. Versatility of the rig can be increased with additional drilling equipment. With optional Junttan equipment, optimised working set-up of the rig can be easily achieved.

This Junttan piling rig has the same proven features as the bigger Junttan machines. Its rugged design makes it a safe and reliable rig even in the most demanding working conditions. The self-erecting leader and many advanced technical features ensure that the rig is ready to work in just a few minutes. The ergonomic and safety tested cabin allows the driver to concentrate completely on his work. The expandable tracks and low centre of gravity make the rig exceptionally stable in different working situations. The horizontal movement of the leader ensures fast spotting of the pile. Because of the compact size the rig can be easily transported to a new working site.



Standard PM 22 with top cathead

PM 22 with leader extension and side cathead

\* Pile length depends on the hammer. See the table of hydraulic hammers beside.

## Technical Data

Leader				
Type	KE 220701			
Length	Leader sections	m (ft)	13.8+4.8	(45 <sup>1</sup> / <sub>4</sub> + 15 <sup>3</sup> / <sub>4</sub> )
	Total Length	m (ft)	23.5	(77 <sup>1</sup> / <sub>8</sub> )
Maximum capacity (pile+hammer)		kg (lb)	18 000	(39 600)
Movements	Vertical movement up/down	mm (inch)	1000/500	(40/20)
	Horizontal movement max.	mm (inch)	1500	(59)
	Inclinations	According to a separate capacity table		
Others	Hydraulic pile arms on leader Electronic leader inclinometer			
Uppercarriage				
Winches	(single line pull, 1. layer)			
	Main winch (hammer)	kg (lb)	11 000	(24 200)
	Aux. winch (pile)	kg (lb)	10 000	(22 000)
Engine	Make and Model Cummins QSB6.7			
	Max. power	kW (hp)	179	(240)
	Fuel tank volume	l (gal)	600	(158)
Hydraulics	Hydraulic oil tank volume	l (gal)	600	(158)
	Max. oil flow	l/min	2x 160 + 86 at 2000 rpm	
		(gpm)	(2x 42 + 23 at 2000 rpm)	
Counterweight	Max. pressure	bar (psi)	320	(4640)
	Weight	kg (lb)	6 400	(14 100)
Undercarriage				
Type	AV 20LC9201			
Crawler length		mm (ft)	5050	(16 <sup>9</sup> / <sub>16</sub> )
	Min. width	mm (ft)	3250	(10 <sup>11</sup> / <sub>16</sub> )
	Max. width	mm (ft)	4250	(13 <sup>15</sup> / <sub>16</sub> )
	Triple grouser type track shoes	mm (ft)	900	(2 <sup>15</sup> / <sub>16</sub> )
Transport dimensions				
Length		m (ft)	19.5	(64)
	Width	mm (ft)	3250	(10 <sup>11</sup> / <sub>16</sub> )
	Height without hammer	mm (ft)	3300	(10 <sup>7</sup> / <sub>8</sub> )
	Height with hammer	mm (ft)	3750	(12 <sup>5</sup> / <sub>16</sub> )
	Total weight	kg (lb)	42 000	(92 600)
(excluding hammer, counterweight and any additional equipment)				
Optional equipment				
<ul style="list-style-type: none"> <li>Leader hinge</li> <li>Leader extension 1.8 m...6 m (6...20 ft)</li> <li>Side cathead</li> <li>Side drill (JD 3)</li> <li>Stabilizers (rear legs)</li> <li>Air conditioning for cabin</li> <li>Vibrator</li> <li>Aux. II winch 5 000 kg (11 000 lb)</li> <li>Energy measuring device</li> <li>Flat track shoes</li> <li>Narrow track shoes 800 mm (2 ½ ft)</li> <li>Wide VLC-crawler 3.1-4.5 m (10 ¼-14 ¾ ft)</li> <li>Auto lubrication</li> <li>Other accessories available on request</li> </ul>				
Approvals				
Manufactured according to EN 996 standard				

### Hydraulic hammer examples for Junttan PM 22

Model		HHK 4A	HHK 4S	HHK 5A	HHK 5S
Max. energy	kNm (ft-lbs)	47 (34 780)	59 (43 500)	59 (43 600)	74 (54 600)
Stroke	m (ft)	0.05-1.2 ( <sup>3</sup> / <sub>16</sub> -3 <sup>15</sup> / <sub>16</sub> )	0.05-1.5 ( <sup>3</sup> / <sub>16</sub> -4 <sup>15</sup> / <sub>16</sub> )	0.05-1.2 ( <sup>3</sup> / <sub>16</sub> -3 <sup>15</sup> / <sub>16</sub> )	0.05-1.5 ( <sup>3</sup> / <sub>16</sub> -4 <sup>15</sup> / <sub>16</sub> )
Blows (adjustable)	per min	40-100	40-100	40-100	40-100
Ram weight	kg (lb)	4 000 (8 820)	4 000 (8 820)	5 000 (11 020)	5 000 (11 020)
Total weight including drive cap	kg (lb)	7 500 (16 530)	7 900 (17 400)	8 600 (18 960)	9 000 (19 840)
Pile length without leader extension	m (ft)	16 (52)	16 (52)	16 (52)	15 (49)
Pile length with leader extension	m (ft)	20 (66)	20 (66)	20 (66)	19 (59)